

WARNING: Paintball markers are not toys. Misuse or careless use may cause serious injury, especially to the eye. Eye protection designed for paintball markers must be worn by the user and any person in range. May be dangerous up to 50 yds (45.72m). Read owner's manual before using.

WARNING: Do not brandish or display this or any paintball marker in public it may confuse people and may be a crime. Police and others may think it is a firearm. Do not change the coloration and markings to make it look more like a firearm. That is dangerous and may be a crime.

Buyer and user have the duty to obey all laws about the use and ownership of this paintball marker.

WARNING: This product may contain one or more chemicals known to the state of California to cause cancer and birth defects or other reproductive harm. Wash hands after handling.

Your paintball marker was designed to work with Valken branded paintballs. Use of other paintballs may cause your gun to malfunction and may void your warranty.

GUIDELINES

1. Handle and operate the paintball marker safely.
2. Select safe and proper targets.
3. Care for and maintain the marker properly.
4. Store the marker unloaded in a safe and proper manner, and check to see that the marker is unloaded when removed from storage or received from another person.
5. Treat every paintball marker as if it were loaded. Using a barrel plug is strongly advised.
6. Always wear eye protection designed for paintball markers when handling or shooting or in range of any paintball marker, and wear them over prescription glasses.
7. Keep your finger off the trigger until ready to shoot.
8. Never point the paintball marker at anything you do not wish to shoot.
9. Keep the paintball marker on safe until ready to shoot.
10. Avoid ricochet. Never shoot at a hard or flat surface or at water.
11. Backstops should be inspected for wear before and after each use. Discontinue use if the backstop surface shows signs of failure. Since backstop surfaces eventually fail, always place the backstop in a location that will be safe should the backstop fail. Discontinue the use of a backstop if the projectile rebounds or ricochets.
12. Perform routine inspection and maintenance, including:
 - a. The paintball marker was modified internally. Modification of the paintball marker's internal mechanisms may cause it to malfunction. Such tampering with a paintball marker may make it unsafe to use.
 - b. The paintball marker suddenly operates differently. Any change in the performance, such as lowered trigger force and shortened trigger travel, grinding, or severely lowered FPS indicates possible wear and that such guns should be inspected, replaced, or properly repaired. Repairs should only be performed by qualified personnel.
 - c. If the paintball marker is dropped or externally damaged. Check any paintball marker that has been dropped to ensure that its function has not been affected.
 - d. Information shall be included to indicate how to obtain service and locate authorized repair shops or visit valken.com.

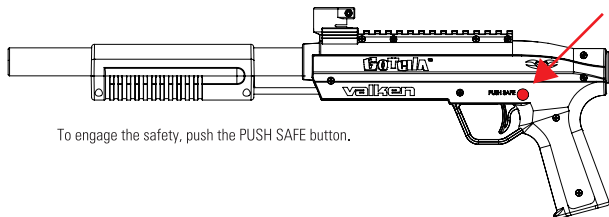
VALKEN 90 DAY WARRANTY

Your Valken paintball marker is warranted to be free of defects in materials and workmanship for 90 days to the original owner. This warranty does not cover damages due to fair wear and tear, failure to provide routine maintenance, and does not include accessories. A copy of the original proof of purchase clearly stating the date of purchase is required to make any claim under this warranty. This warranty lasts for 90 days from the date of purchase and applies to the original purchaser, and is not transferable. In the event of a defect under this warranty, we will, at our option, repair or replace the product for the first 90 days provided our inspection indicates that an original defect exists. Valken reserves the right to replace any product which is no longer available with a product of comparable value and function. If Valken determines the repair is not covered under the warranty guidelines, there could be a charge to you for the cost of the repair and or any required parts. This is a limited warranty and does not cover damages caused by misuse, improper handling or installation or maintenance provided by someone other than Valken Incorporated. Any modifications made to this product may result in this warranty being null and void.

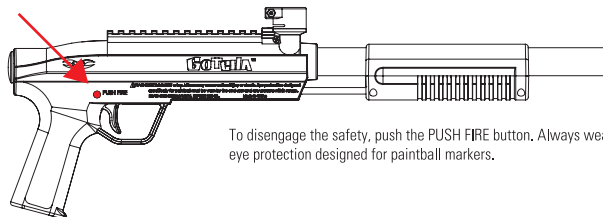
This limited warranty does not include consequential damages, incidental damages, or incidental expenses, including damage to property or any other expense. Valken disclaims any implied warranties. Some states do not allow the exclusion or limitation of incidental or consequential damages, or allow limitations on implied warranties so the above limitations or exclusions may not apply to you. This warranty gives you specific legal rights, and you may also have other rights which vary from state to state and country to country.

ENGAGE AND DISENGAGE SAFETY

valken

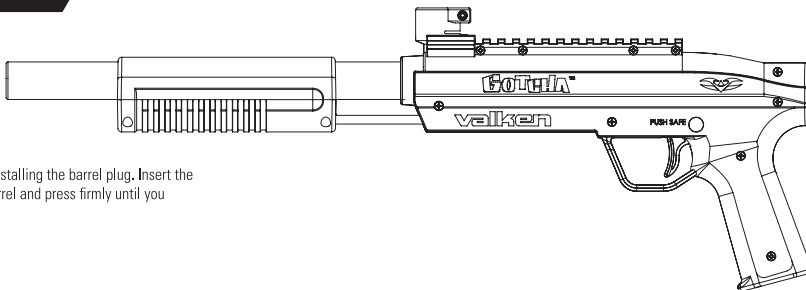
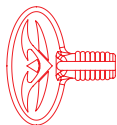


To engage the safety, push the PUSH SAFE button.



To disengage the safety, push the PUSH FIRE button. Always wear eye protection designed for paintball markers.

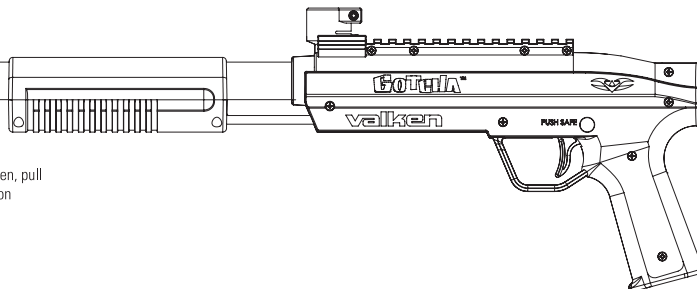
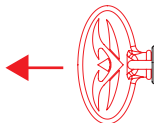
INSTALL BARREL PLUG



Ensure the safety is on before installing the barrel plug. Insert the barrel plug as shown into the barrel and press firmly until you achieve a tight fit.

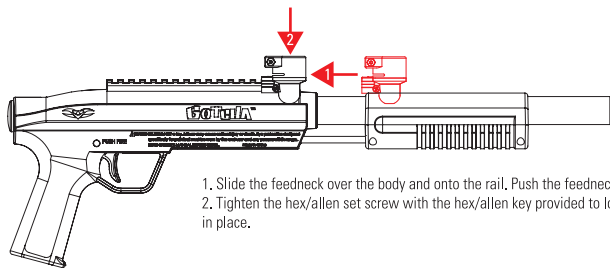
WARNING: Always leave the barrel plug installed until ready to fire.

REMOVE BARREL PLUG

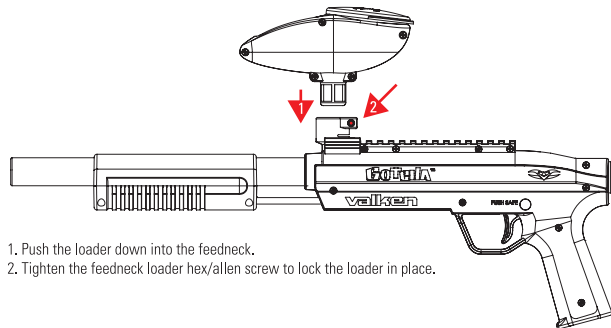


Ensure the safety is on before removing the barrel plug. Then, pull the barrel plug out of the barrel. Always wear eye protection designed for paintball markers.

WARNING: Always use paintball certified eye protection while playing.

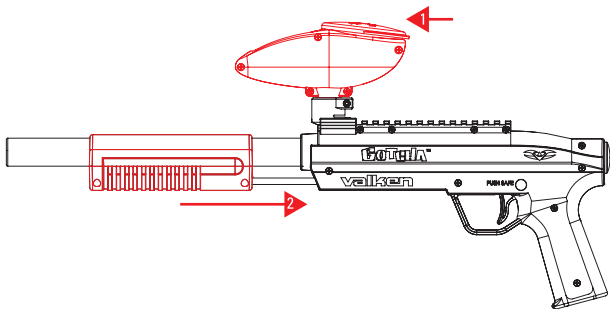


1. Slide the feedneck over the body and onto the rail. Push the feedneck on until it stops.
2. Tighten the hex/allen set screw with the hex/allen key provided to lock the feedneck in place.

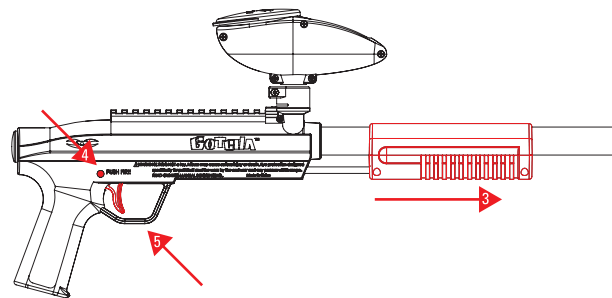


1. Push the loader down into the feedneck.
2. Tighten the feedneck loader hex/allen screw to lock the loader in place.

HOW TO FIRE THE GOTCHA MARKER



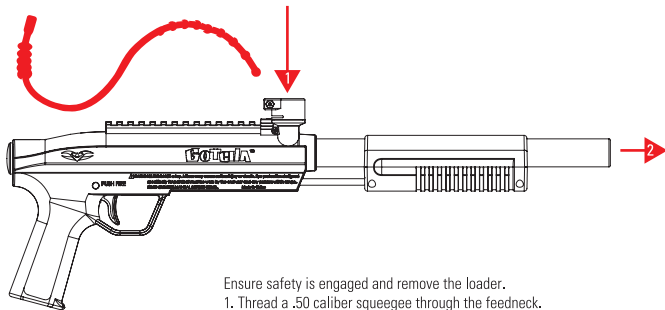
1. Fill the loader with .50 caliber paintballs. Approximately 120 paintballs.
2. Pull the pump handle all the way towards the marker body until you hear a click.
3. Push the pump handle forwards, towards the end of the barrel until it stops.
4. **DISENGAGE THE SAFETY**
5. Pull the trigger to fire.



WARNING: Always use Valken branded paintballs to ensure best function.

HOW TO CLEAN THE BARREL

valken.

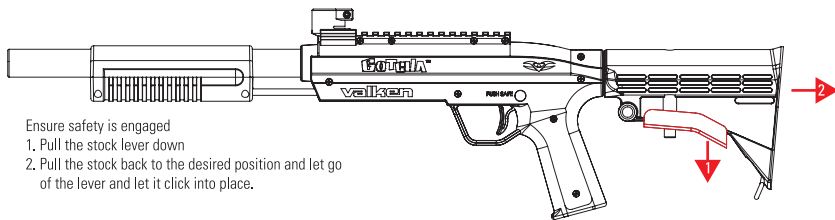


- Ensure safety is engaged and remove the loader.
1. Thread a .50 caliber squeegee through the feedneck.
 2. Pull the squeegee through the barrel, and repeat if necessary.

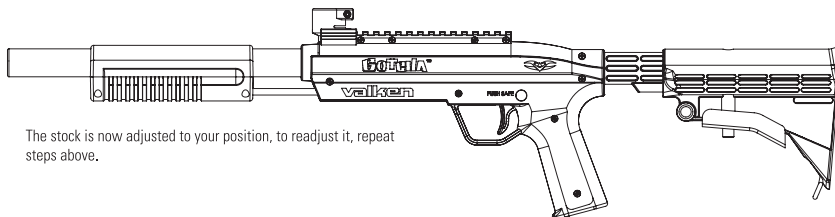
WARNING: Ensure there are no paintballs in the barrel before cleaning.

HOW TO ADJUST THE STOCK

* Stock is included in select models



- Ensure safety is engaged
1. Pull the stock lever down
 2. Pull the stock back to the desired position and let go of the lever and let it click into place.



The stock is now adjusted to your position, to readjust it, repeat steps above.

GOTCHA MARKER INCLUDES:

- GOTCHA MARKER
- MANUAL
- FEEDNECK
- ALLEN WRENCH
- BLUE HOP UP
- RED HOP UP